

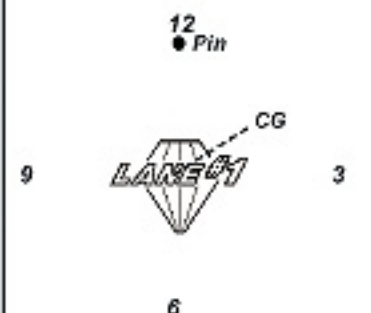


# Pearl Viper

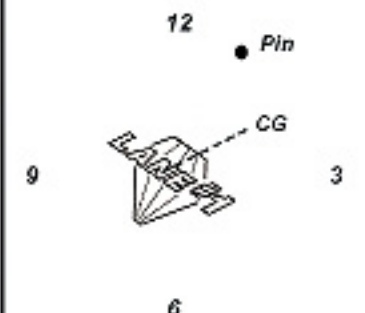
## Drilling Specifications

### Pin Position

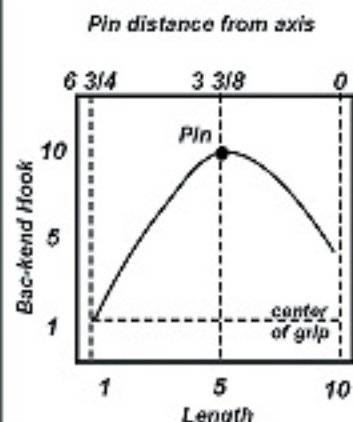
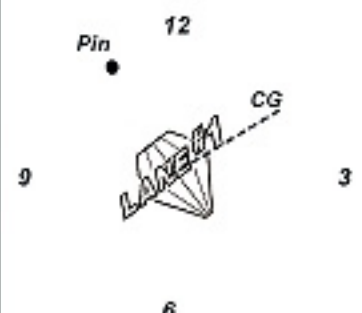
The Viper's 12:00 pin, relative to the CG, makes this ball driller friendly for right & left-hand bowlers.



Turning the pin towards 3 o'clock, relative to the CG, will increase length.



Turning the pin towards 9 o'clock, relative to the CG, will decrease length.



### Drilling Recommendations

Label	Label	Max Leverage	CG Out Leverage
Length 7      Back-end 9	Length 2      Back-end 2	Length 5      Back-end 10	Length 3      Back-end 6

Label	CG Axis	Pin Axis	Notes
			<ol style="list-style-type: none"> <li>Pos. side, finger, &amp; top wt., increase length and back-end.</li> <li>Neg. side, thumb, &amp; bottom, decrease length and back-end.</li> <li>Axis holes decrease flare and back-end reaction.</li> <li>Pin-in balls decrease length.</li> <li>Pin-out balls increase length and flip.</li> <li>If ending center of gravity is on your pin, CG or on the same rotational plane as those, reaction is enhanced.</li> </ol>
Length 8      Back-end 6	Length 5      Back-end 7	Length 10      Back-end 4	